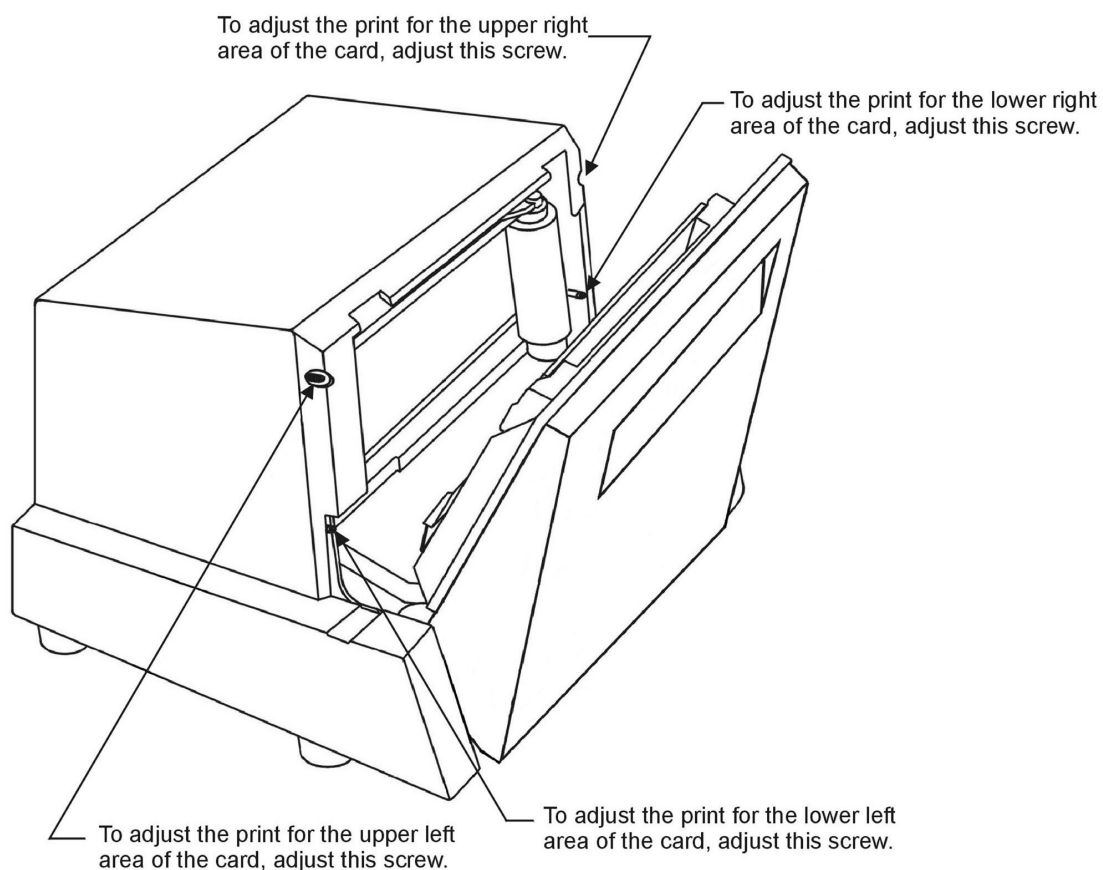


**MODEL 840 IMPRINT ADJUSTMENT INSTRUCTIONS**

**TO CHANGE IMPRINT DENSITY,  
ADJUST SCREWS AS ILLUSTRATED**



 **TURN SCREWS THIS WAY  
TO LIGHTEN**

 **TURN SCREWS THIS WAY  
TO DARKEN**

**Tools Required:** 3/32" Allen Key

**CAUTION! DO NOT OVERADJUST**

**IT IS NOT NECESSARY TO ADJUST SCREWS MORE  
THAN 1/8 TURN TO CHANGE IMPRINT QUALITY**