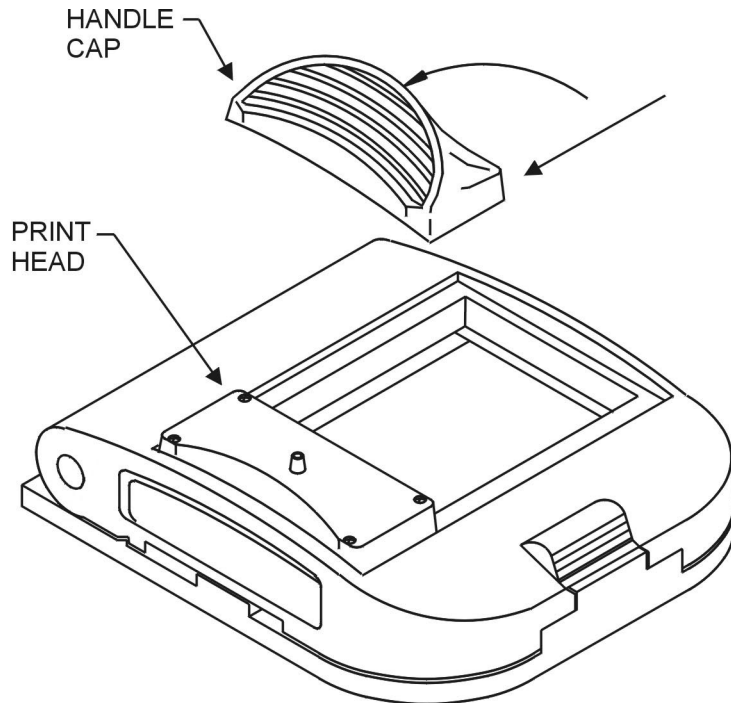


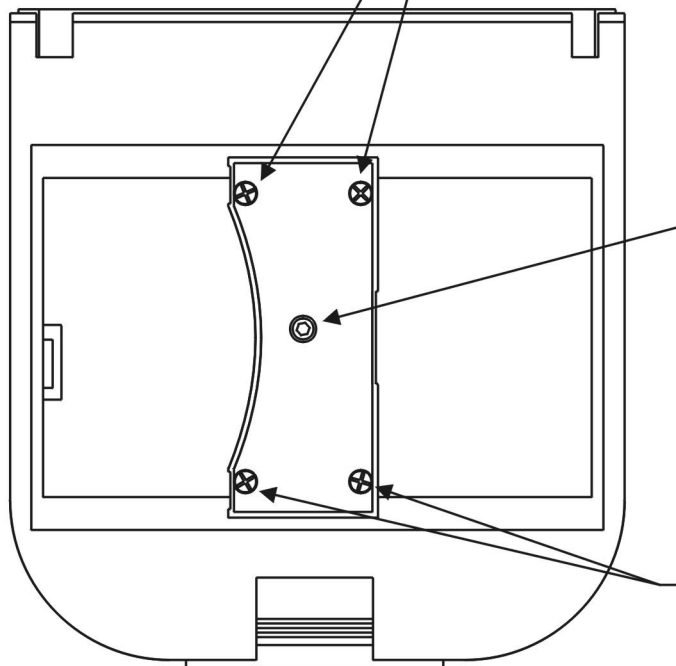
MODEL 990 IMPRINT ADJUSTMENT INSTRUCTIONS



To remove the handle cap, push the cap all the way to the left side of the imprinter as shown. Apply pressure to the top of the cap, in the same direction. You will need a small Phillips head screwdriver and a .050 hex key wrench to adjust this imprinter. Adjust screws in 1/8 turn increments or less and run a sample print. See the diagram below for more instructions. When adjustment is complete, replace handle cap.

Note: Adjusting imprint too dark, can cause the print head to lock or be hard to move. If this occurs, adjust screws back (counter-clockwise) until print head moves freely.

To adjust the print for the top of the card, adjust these screws. To darken the print, turn screws clockwise. To lighten the print, turn screws counter-clockwise.



Using the .050 hex key wrench, adjust this screw to change the print of the bottom of the card and the top of the merchant plate. To darken the print, turn screws clockwise. To lighten the print, turn screws counter-clockwise.

To adjust the print for the bottom of the merchant plate, adjust these screws. To darken the print, turn screws clockwise. To lighten the print, turn screws counter-clockwise.